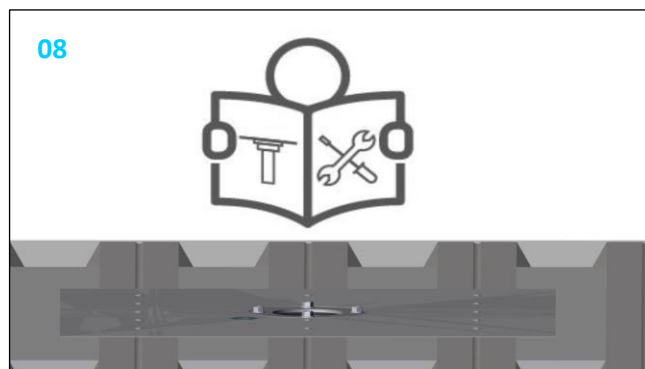
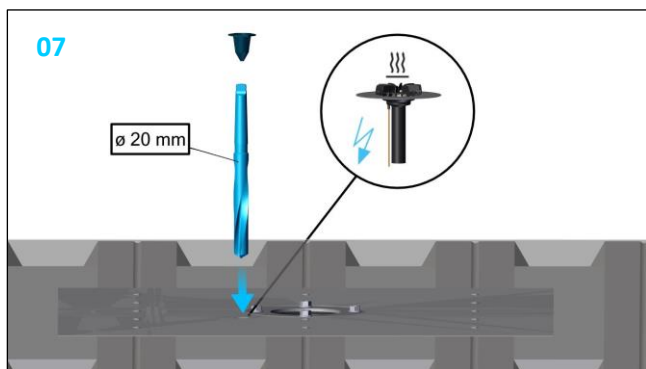
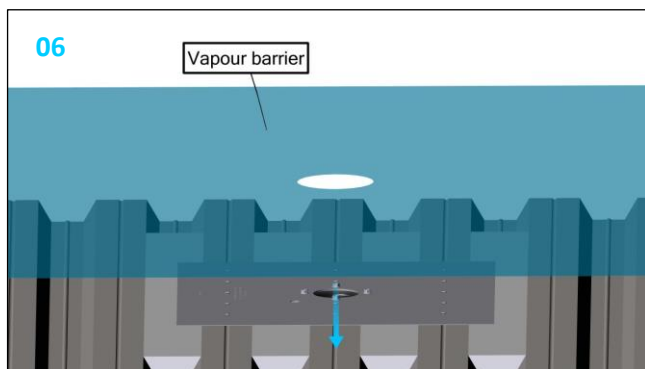
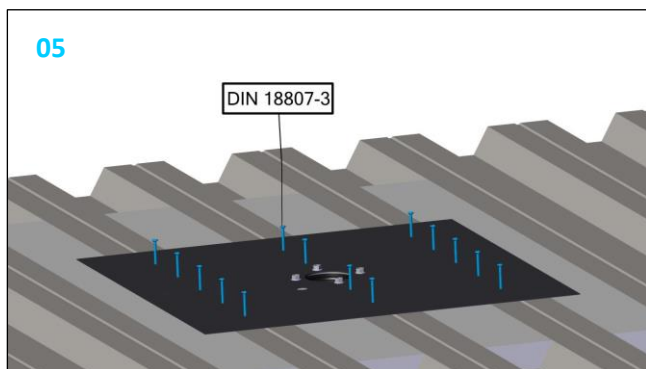
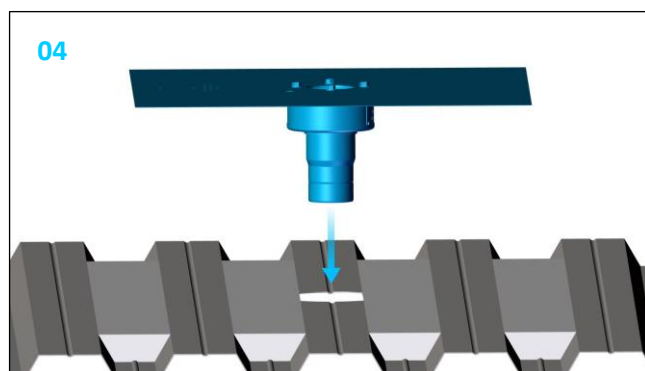
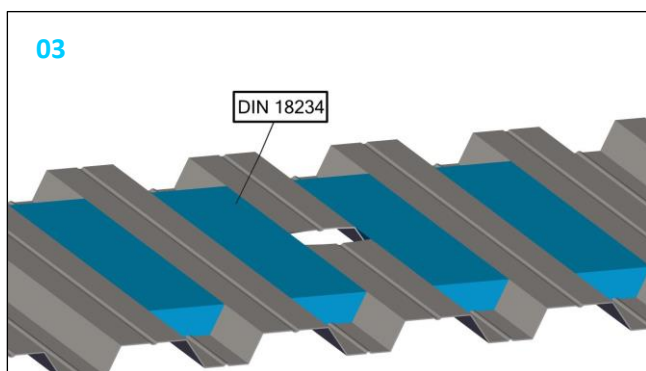
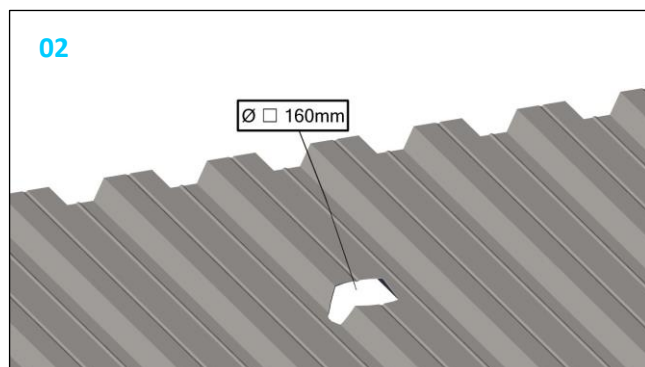
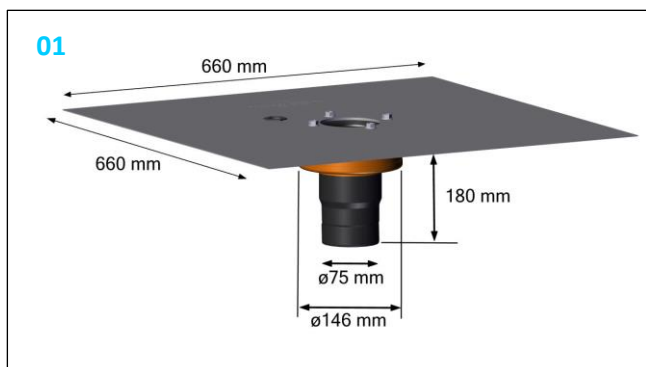


# Reinforcement plate $\varnothing 75\text{mm}$ with fire protection

## 747723



24/01/267 / 7400169