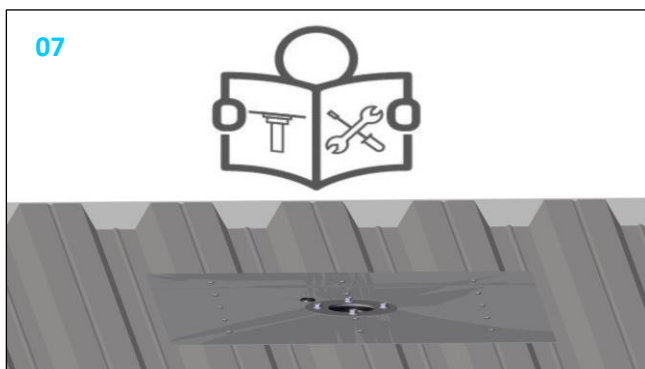
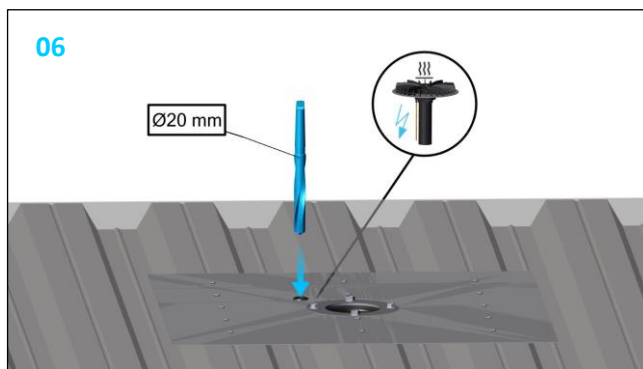
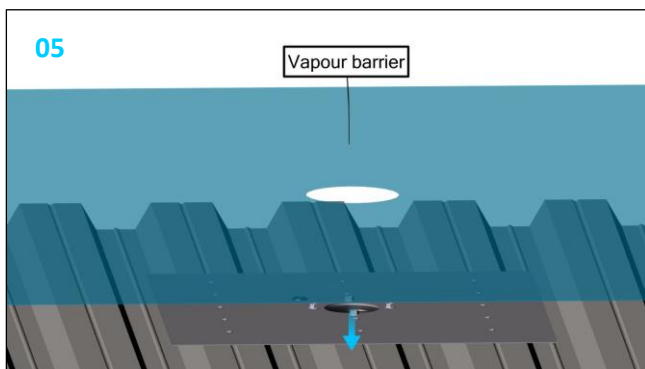
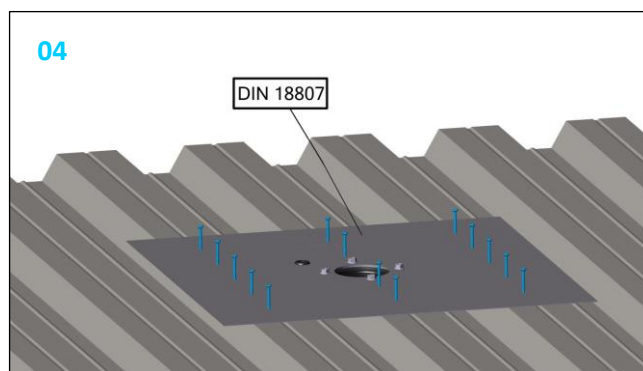
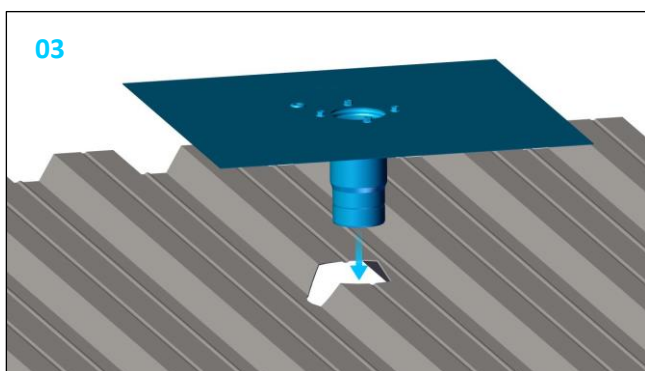
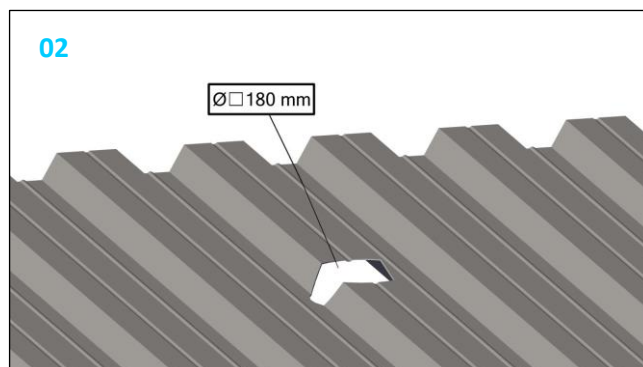
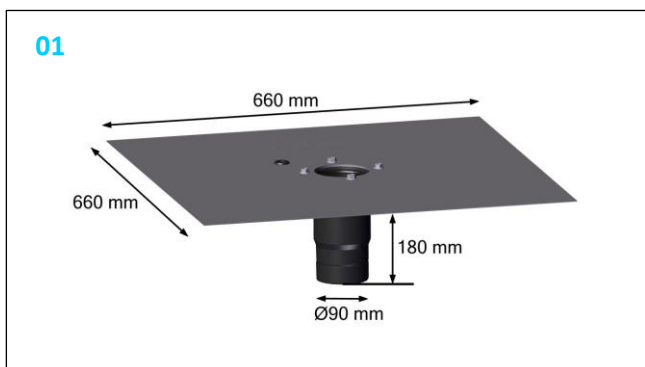


Reinforcement plate $\varnothing 90\text{mm}$

749711



24/01/268 / 7400170