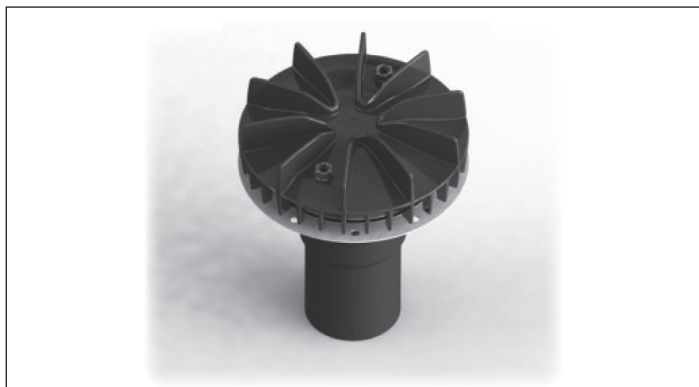
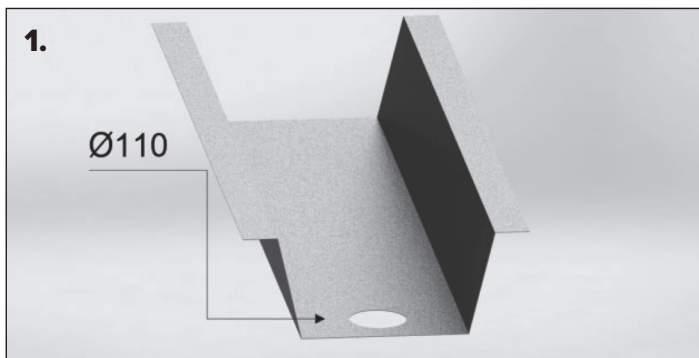


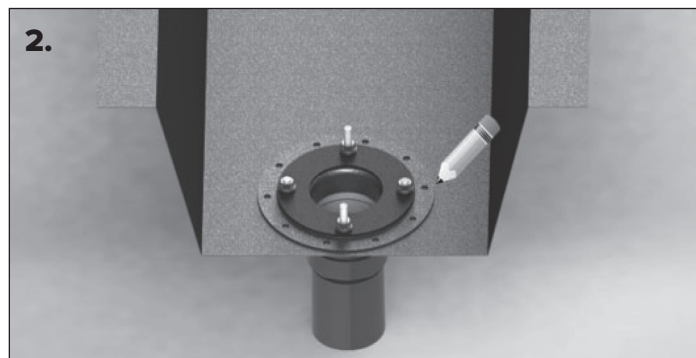
AKASISON GUTTER OUTLET L/XL75 FOR METAL GUTTER WITH COVERING



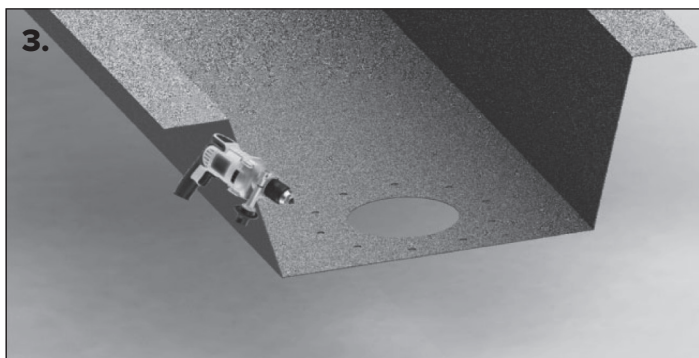
Akasison gutter outlet XL 75



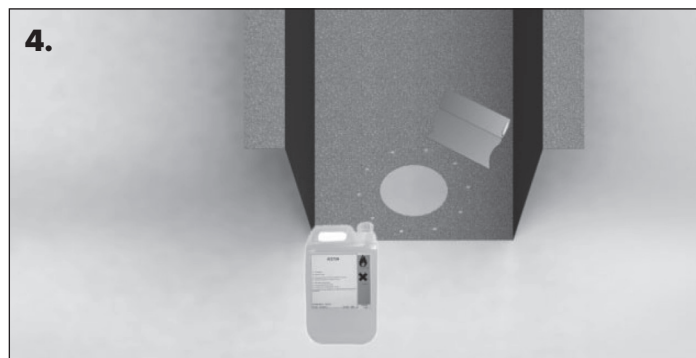
1. Drill/cut hole of Ø110 in the metal gutter.



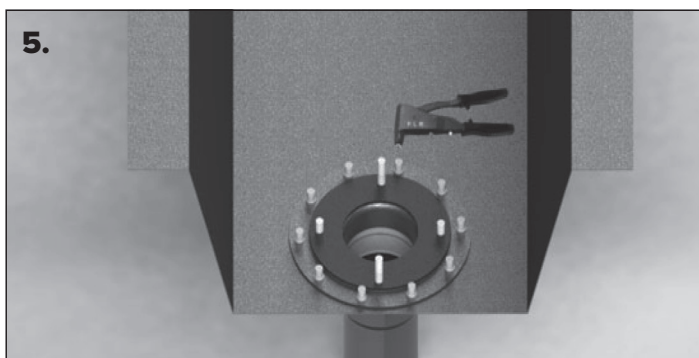
2. Insert outlet and mark area covered by outlet and holes for pop-rivets.



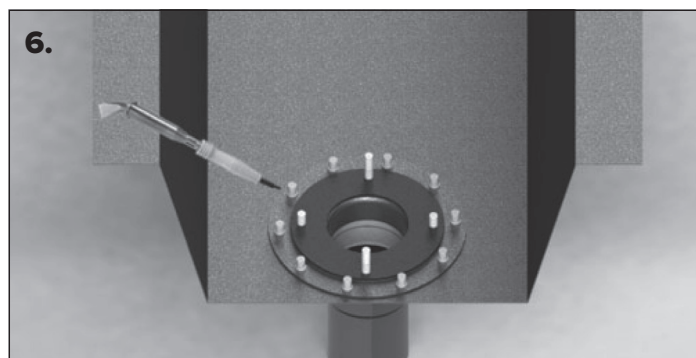
3. Drill hole for pop-rivets Ø 6 mm.



4. Clean and degrease area of outlet, use for example acetone.

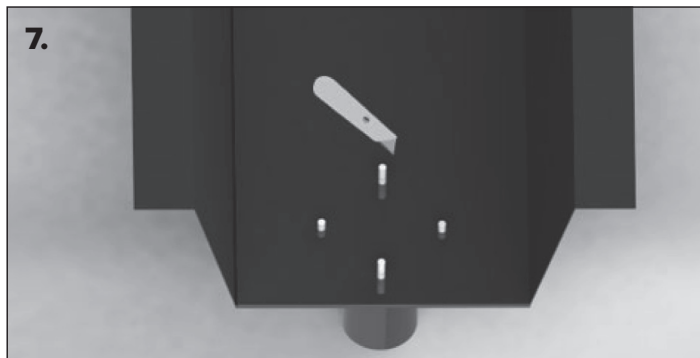


5. Mount the pop rivets.

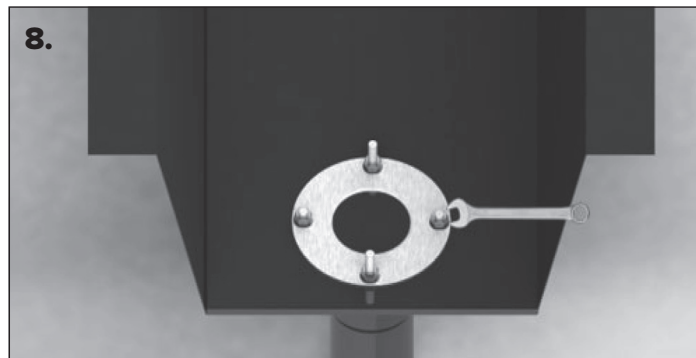


6. Solder outlet and pop rivets watertight to the gutter.

AKASISON GUTTER OUTLET L/XL75 FOR METAL GUTTER WITH COVERING



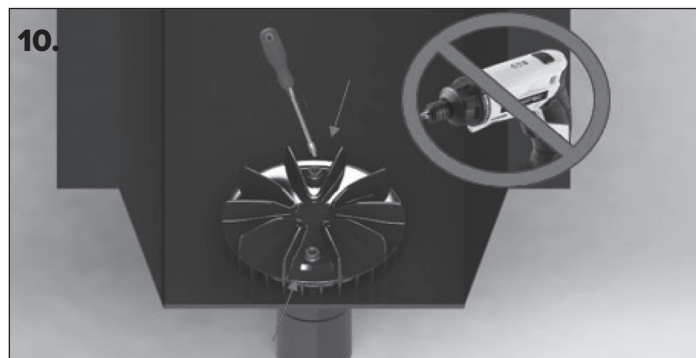
Provide covering with holes for studs and guide covering over studs.



Mount clamp flange with nuts provided.



Remove the covering from the inlet of the gutter outlet.



Mount air baffle with nuts provided.
Do not use an electric screwdriver.