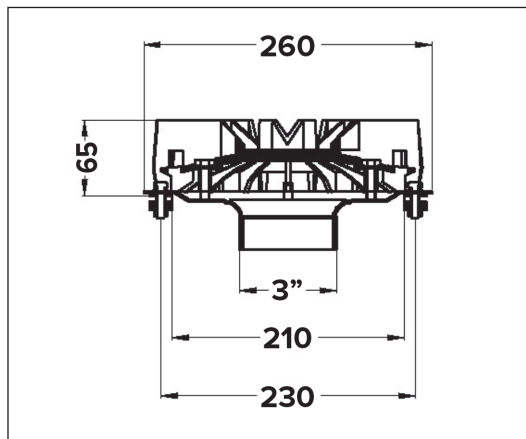


# AKASISON R90 FOR GUTTERS

ARTICLE CODE: 74 09 50



According to EN 1253

Gutter outlet for siphonic roof drainage systems including air baffle.

- Including: Siphonic air baffle  
Gutter connection set
- Outlet: 90 mm  
Hole in gutter Ø 210 mm  
Connection to HDPE pipe system with article code 749285
- Material: Stainless steel body, coated aluminium air baffle, stainless steel fasteners
- Weight: 2.4 kg

Drainage capacity according to EN 1253

Water level	25 mm	30 mm	35 mm	40 mm	45 mm	50 mm	60 mm	65 mm	70 mm	75 mm
Capacity [l/s]	4,4	6,5	8,5	11,5	15,5	19,0	27,1	29,0	29,0	29,0

- Packaging: 1 piece
- Discount group: AD
- Stand: 04.2016