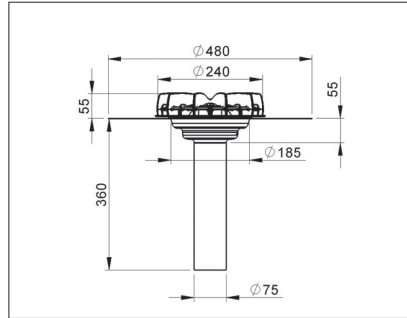


Akasison metal roof outlet XL75 bitumen

Code 747312 / 747313



According to EN 1253

Metal outlet for bitumen roof membranes for Akasison siphonic roof drainage systems.

Delivery includes:	Akasison air baffle with integrated leaf guard (UV-stabilized) ASA Anti punching for protection of bitumen membrane PE connector to pipe system Fireproof lid for protection during application of roofing membrane Optional without extra charge EPS insulating block Heated model includes a self-regulating 230V heating element, cable length 1 m.
Application:	Cold roof/warm roof
Insulation thickness:	Roof insulation between 60 and 330 mm
Connection pipe system:	Electrofusion coupler Code 410795
Drilling core size:	Ø □ 80 mm
Outlet:	d _i = 75 mm
Performance:	1-17,7 l/s measured according to EN1253 setup
Material:	AISI 304, HDPE, ASA (UV-stabilized)
Weight:	3,2 kg

Capacity according to EN 1253

Code	Type	Description	Weight (kg)
747312	Akasison XL75 Metal	Metal	3,2
747313	Akasison XL75 H Metal	Metal, heated	3,3

Water level	5 mm	15 mm	25 mm	35 mm	45 mm	55 mm	65 mm	75 mm
Capacity [l/s]	0,25	2,00	5,70	11,50	17,40	17,70	17,70	17,70

Quantity per box:	5 piece
Sales unit:	1 piece
Discount group:	AD
Date:	05.2021