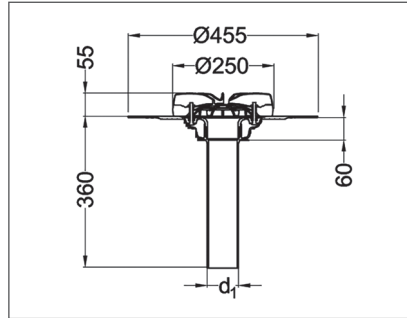


Akasison roof outlet XL75 FPO/TPO-PP

Code 747516 / 747517



According to EN 1253

Roof outlet for FPO/TPO roof membranes for Akasison siphonic roof drainage systems.

Delivery includes:	Akasison air baffle with integrated leaf guard (UV-stabilized) Roof outlet with integrated PP flange Connector to pipe system.
Application:	Cold roof/warm roof
Insulation thickness:	Roof insulation between 60 and 330 mm
Connection pipe system:	Electrofusion coupler Code 410795
Drilling core size:	Ø □ 80 mm
Outlet:	d ₁ = 75 mm 140 mm in combination with mounting sleeve Code 747711 and 747713 160 mm in combination with reinforcement plate with fire protection Code 747722
Performance:	1-17,7 l/s
Material:	HDPE, PP, ASA (UV-stabilized)
Weight:	2 kg

Capacity according to EN 1253

Code	Type	Description	Weight (kg)
747316	Akasison XL75 FPO/TPO	FPO/TPO	2,0
747317	Akasison XL75 H FPO/TPO	FPO/TPO, heated	2,1

Water level	5 mm	15 mm	25 mm	35 mm	45 mm	55 mm	65 mm	75 mm
Capacity [l/s]	0,25	2,00	5,70	11,50	17,40	17,70	17,70	17,70

Packaging: 1 piece
Discount group: AD

Date: 07.2021