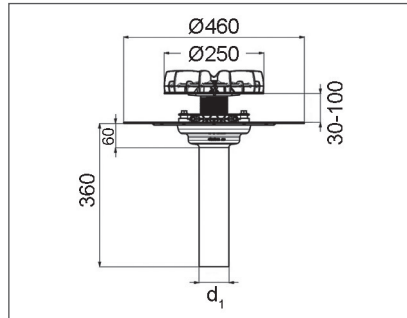


# Akasison roof outlet XL75 clamp flange adjustable emergency

Code **747570** / **747571**



According to EN 1253

Roof outlet emergency overflow for Akasison siphonic roof drainage systems.

Delivery includes:	Akasison air baffle with integrated leaf guard (UV-stabilized) Roof outlet with integrated clamp flange Connector to pipe system Heated model includes a self-regulating 230V heating element, cable length 1 m.
Connection pipe system:	Electrofusion coupler Code 410795
Drilling core size:	Ø □ 80 mm 140 mm in combination with mounting sleeve Code 747711 and 747713 160 mm in combination with reinforcement plate with fire protection Code 747722
Outlet:	$d_1 = 75$ mm
Performance:	1-17,7 l/s
Adjustable height:	30-100 mm
Material:	HDPE, stainless steel, ASA (UV-stabilized)

Capacity according to EN 1253

Code	Type	Description	Weight (kg)
747570	Akasison XL75 C	Clamp flange	2,3
747571	Akasison XL75 H C	Clamp flange, heated	2,4

Water level	5 mm	15 mm	25 mm	35 mm	45 mm	55 mm	65 mm	75 mm
Capacity [l/s]	0,25	2,00	5,70	11,50	17,40	17,70	17,70	17,70

\* height measured from the underside of the leaf guard

Packaging:	1 piece
Discount group:	AD
Date:	07.2021