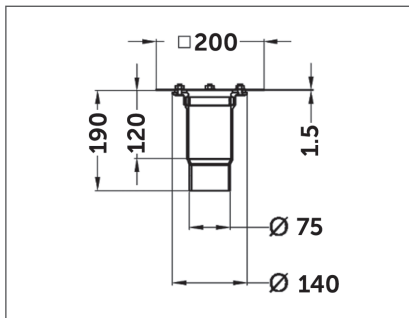


Akasison HDPE XL75 installation socket

Code 747713



For a fast and vapour sealed installation of the Akasison XL75 in metal roofs and for pre-completion building drainage when insulation and roof outlets are not yet installed. Includes a small metal plate and HDPE connection pipe.

Delivery includes:	Galvanised reinforcement plate 200x200x1,5 mm HDPE socket Flange and EPDM seal
Application:	Warm roof and applications according to DIN 18234
Drilling core size:	Ø □ 140 mm
Connection pipe system	Electrofusion coupler Code 410795 Snap socket Code 400730 Temporary building drainage possible
Material:	HDPE, galvanised steel, stainless steel, SBR and EPDM
Weight:	0,6 kg
Packaging:	1 piece
Discount group:	AD
Version:	07.2021