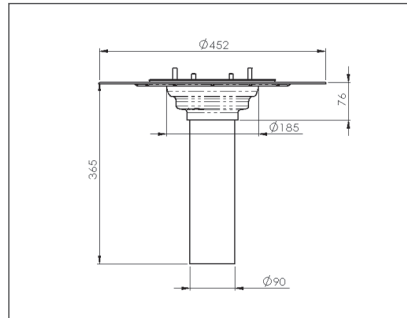


Akasison roof outlet XL90 clamp flange without air baffle

Code 749040 / 749041



According to EN 1253

Roof outlet with clamp flange for Akasison HDPE siphonic roof drainage systems.

Delivery includes:	Clamp flange with prefixed seal Connector to pipe system Heated model includes a self regulating 230V heating element, cable length 1 m.
Application:	Cold roof/warm roof
Insulation thickness:	Roof insulation between 60 and 330 mm
Pipe system:	HDPE
Connection pipe system:	Electrofusion coupler d90 mm (code 410995)
Drilling core size:	Ø □ 100 mm 180 mm in combination with mounting sleeve (code 749711) 180 mm in combination with reinforcement plate with fire protection (code 749722)
Outlet:	d _i = 90 mm
Performance:	1-29,0 l/s*
Material:	HDPE and stainless steel

Code	Type	Description	Weight (kg)
749040	Akasison XL90 C	Clamp flange	1,7
749041	Akasison XL90 H C	Clamp flange, heated	1,8

Suitable air baffles:

Air baffle Ø 420 mm (preferred) Code 749053	Air baffle Ø 250 mm in combination with overflow ring Code 747550 and 747590
	

Capacity according to EN 1253

Water level	25 mm	35 mm	45 mm	55 mm	65 mm	75 mm
Capacity [l/s]*	10,10	17,65	25,30	29,00	29,00	29,00

* in combination with Ø 420 mm air baffle)*

Packaging: 1 piece
Discount group: AD

Date: 09.2021